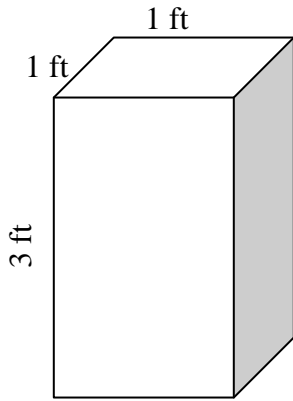


Name _____ Period _____ Date _____

Volume and Surface Area

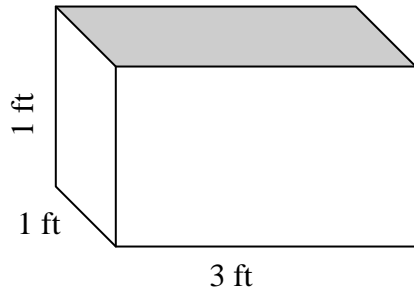
1) Volume = _____

Surface Area = _____



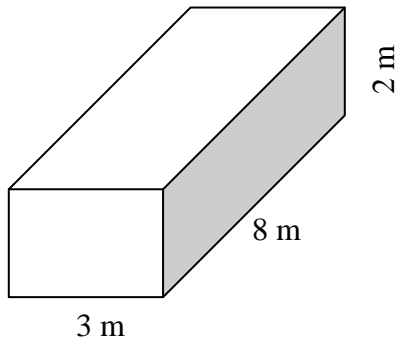
2) Volume = _____

Surface Area = _____



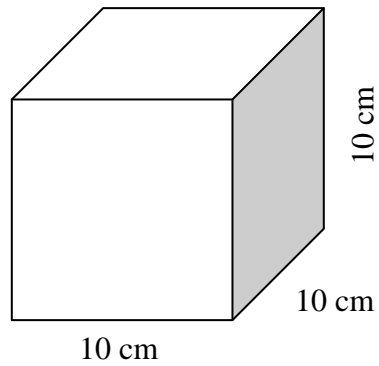
3) Volume = _____

Surface Area = _____

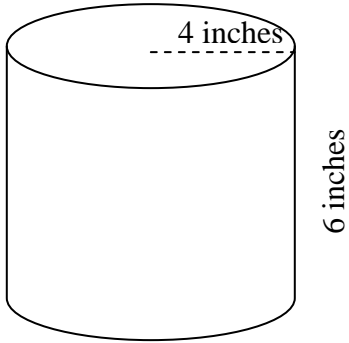


4) Volume = _____

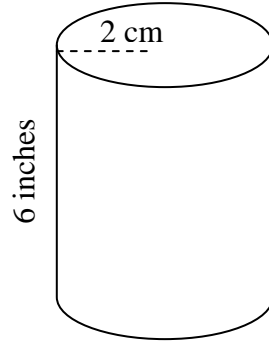
Surface Area = _____



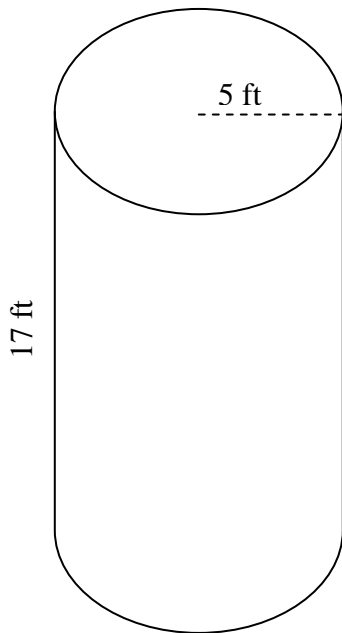
5) Volume = _____
Surface Area = _____



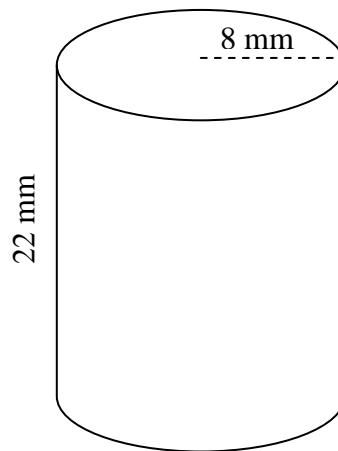
6) Volume = _____
Surface Area = _____



7) Volume = _____
Surface Area = _____



8) Volume = _____
Surface Area = _____

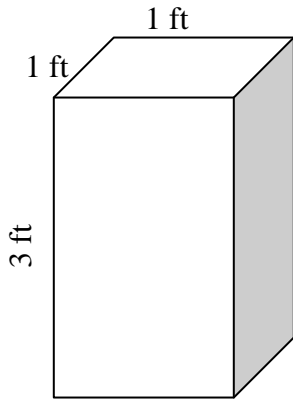


Name ANSWER KEY Period _____ Date _____

Volume and Surface Area

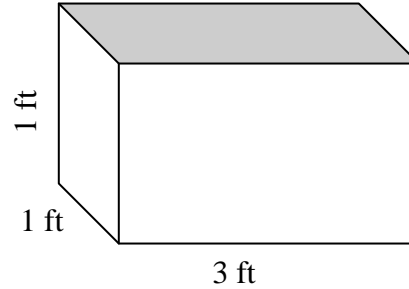
1) Volume = 3 cubic ft.

Surface Area = 14 sq. ft.



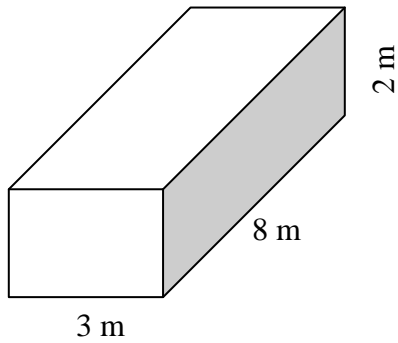
2) Volume = 3 cubic ft.

Surface Area = 14 sq. ft.



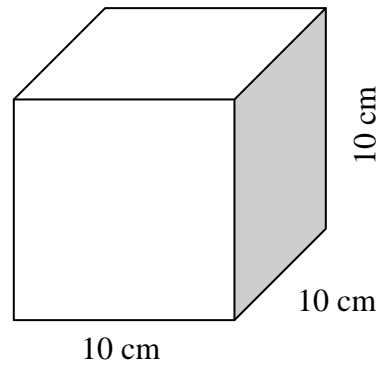
3) Volume = 48 cubic m.

Surface Area = 92 sq. m.



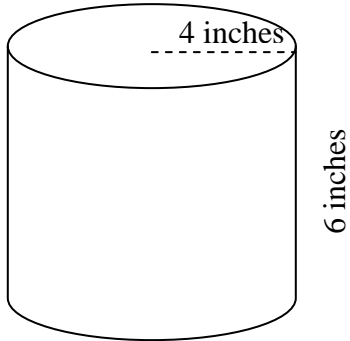
4) Volume = 1,000 cubic cm.

Surface Area = 600 sq. cm.



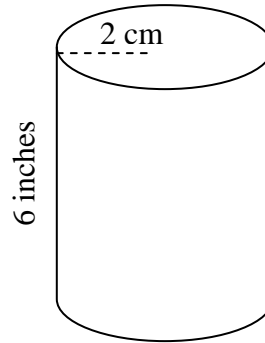
5) Volume = 301.44 cubic in.

Surface Area = 25.12 sq. in.



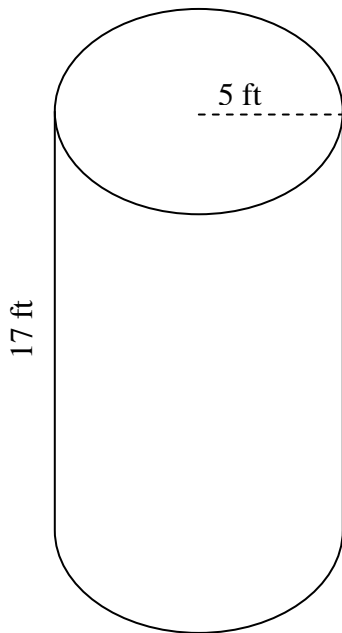
6) Volume = 75.36 cubic cm.

Surface Area = 100.48 sq. cm.



7) Volume = 1,334.5 cubic ft.

Surface Area = 690.8 sq. ft.



8) Volume = 4,421.12 cubic mm.

Surface Area = 1,507.2 sq. mm.

