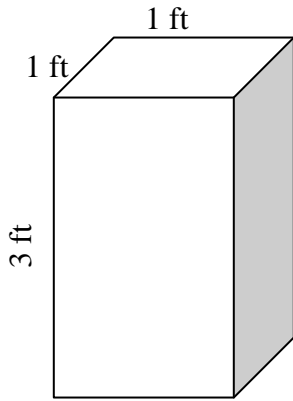


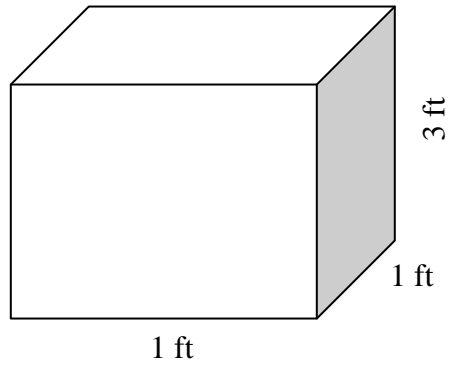
Name _____ Period _____ Date _____

Volume

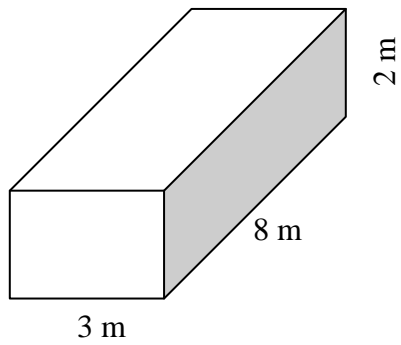
1) Volume = _____



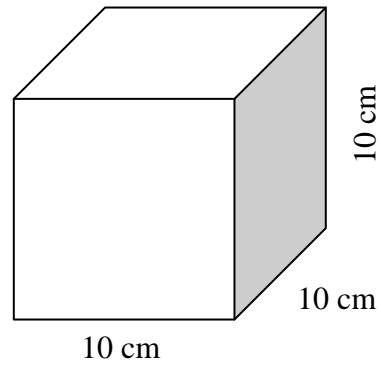
2) Volume = _____



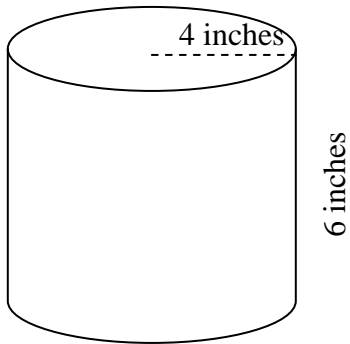
3) Volume = _____



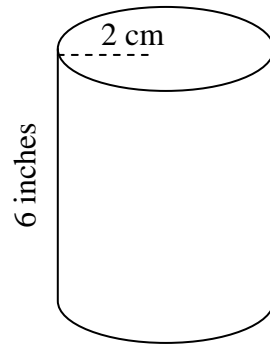
4) Volume = _____



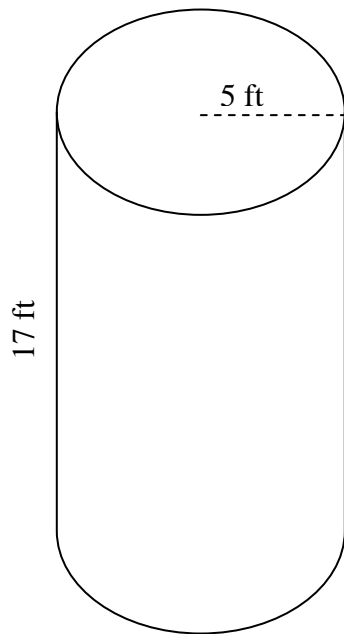
5) Volume = _____



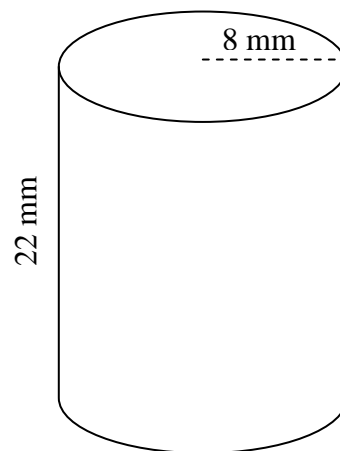
6) Volume = _____



7) Volume = _____



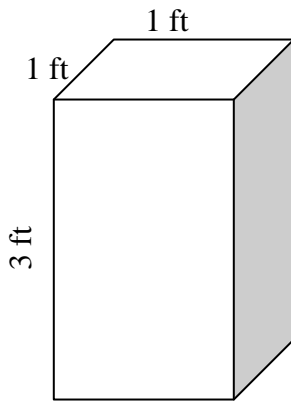
8) Volume = _____



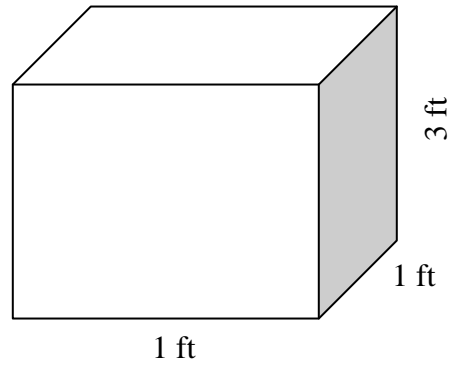
Name ANSWER KEY Period _____ Date _____

Volume

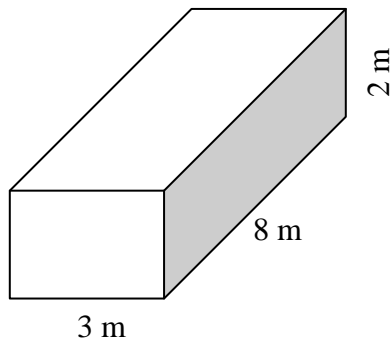
1) Volume = 3 cubic ft.



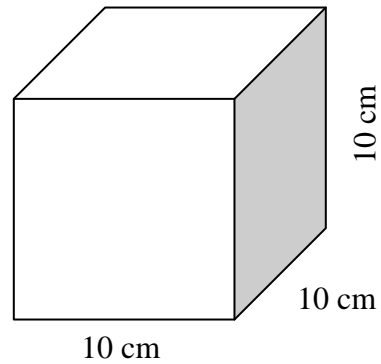
2) Volume = 3 cubic ft.



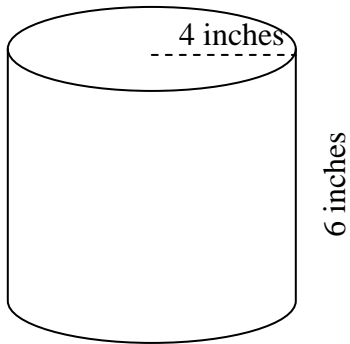
3) Volume = 48 cubic m.



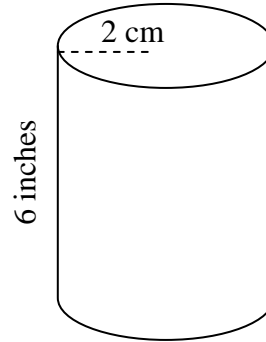
4) Volume = 1,000 cubic cm.



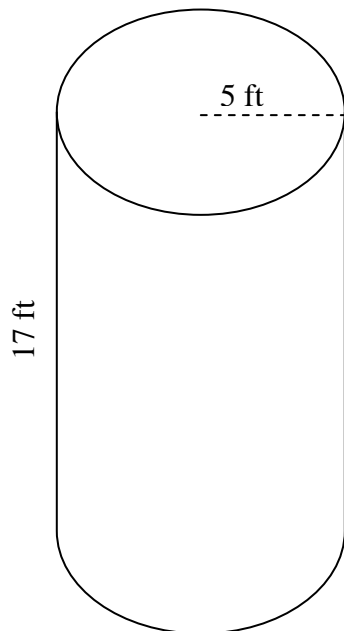
5) Volume = 301.44 cubic in.



6) Volume = 75.36 cubic cm.



7) Volume = 1,334.5 cubic ft.



8) Volume = 4,421.12 cubic mm.

