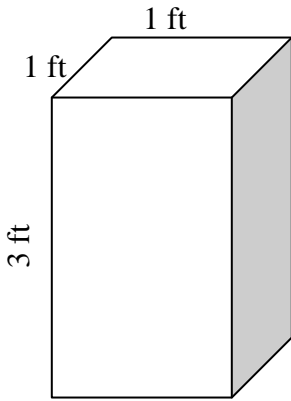


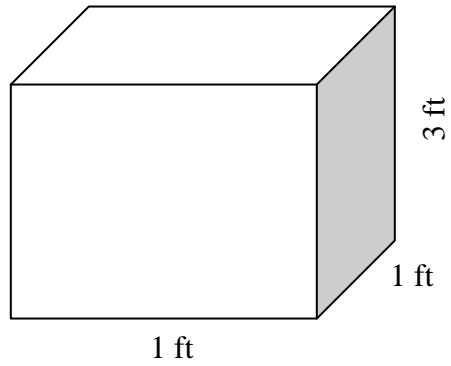
Name \_\_\_\_\_ Period \_\_\_\_\_ Date \_\_\_\_\_

### Surface Area

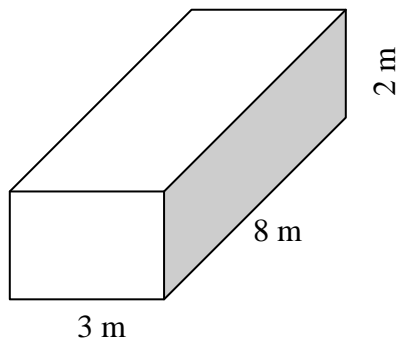
1) Surface Area = \_\_\_\_\_



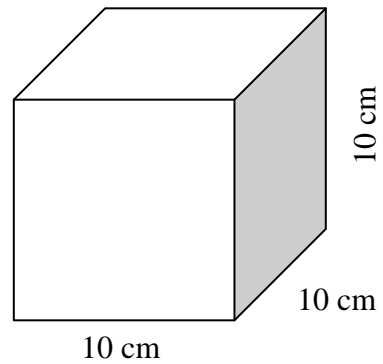
2) Surface Area = \_\_\_\_\_



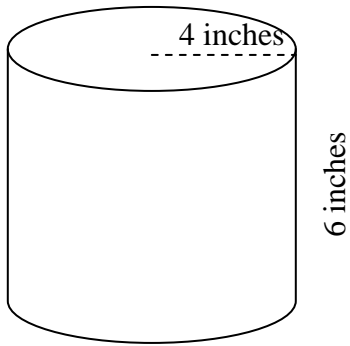
3) Surface Area = \_\_\_\_\_



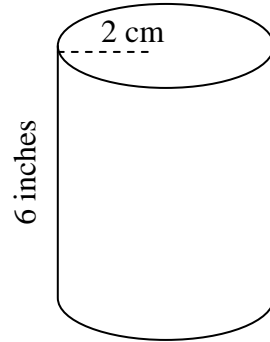
4) Surface Area = \_\_\_\_\_



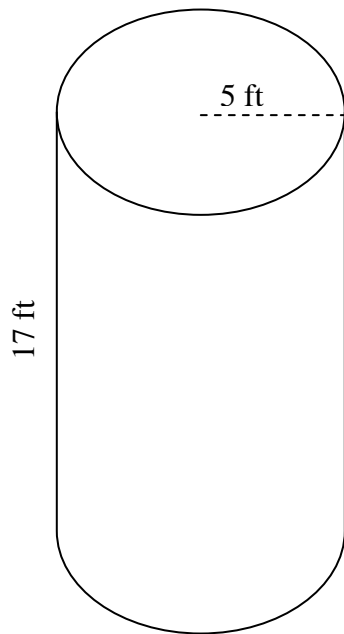
5) Surface Area = \_\_\_\_\_



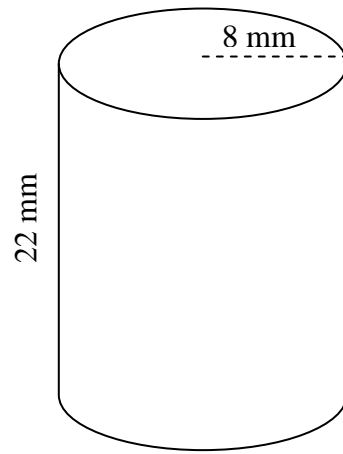
6) Surface Area = \_\_\_\_\_



7) Surface Area = \_\_\_\_\_



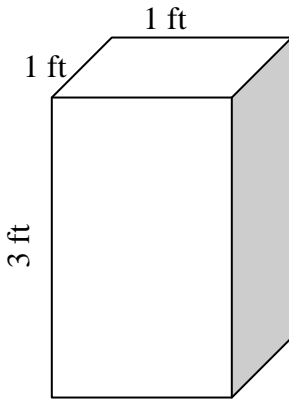
8) Surface Area = \_\_\_\_\_



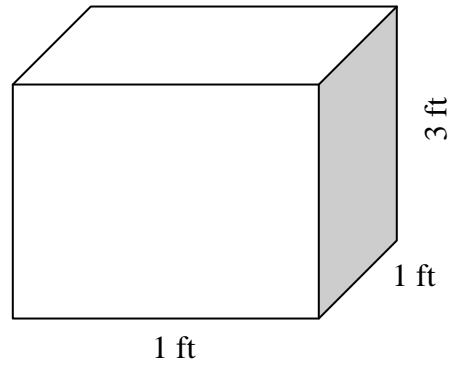
Name ANSWER KEY Period \_\_\_\_\_ Date \_\_\_\_\_

### Surface Area

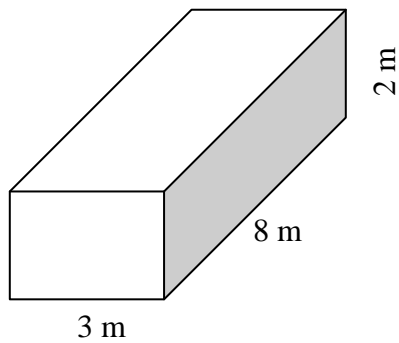
1) Surface Area = 14 sq. ft.



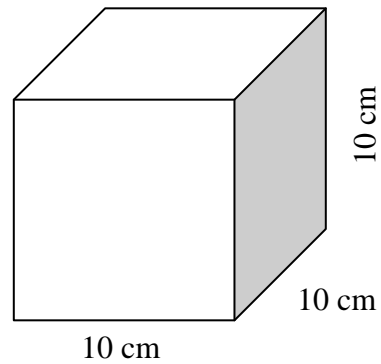
2) Surface Area = 14 sq. ft.



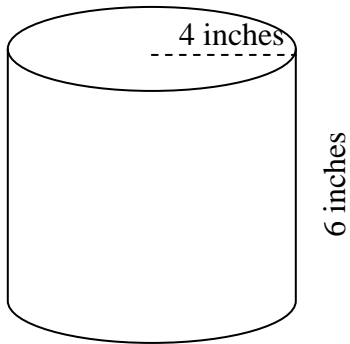
3) Surface Area = 92 sq. m.



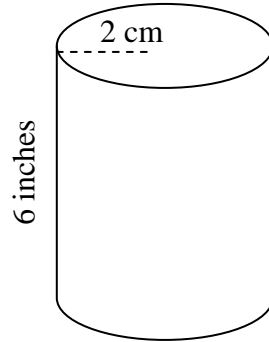
4) Surface Area = 600 sq. cm.



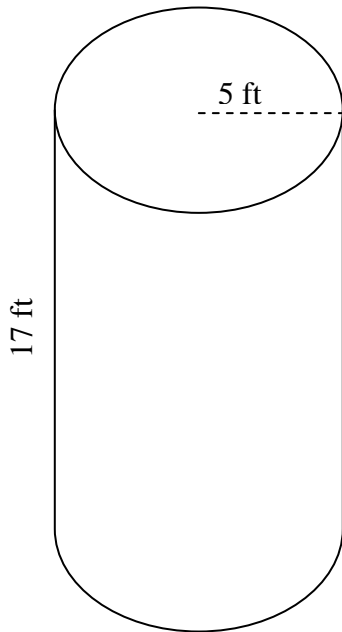
5) Surface Area = 25.12 sq. in.



6) Surface Area = 100.48 sq. cm.



7) Surface Area = 690.8 sq. ft.



8) Surface Area = 1507.2 sq. mm.

