

Name _____ Period _____ Date _____

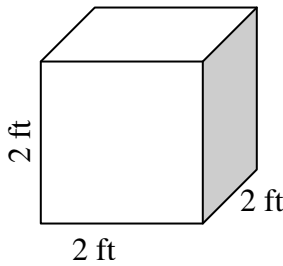
Volume and Surface Area of Rectangular Prisms and Cylinders

Remember, the volume of a shape is how many cubic units you can fit inside it. What are the areas of the cubes drawn below? Make sure you write the units.

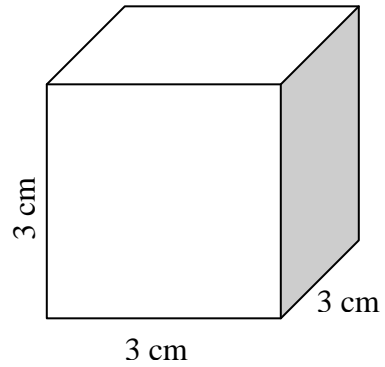
Volume of a Rectangular Prism = _____

Surface Area of a Rectangular Prism = _____

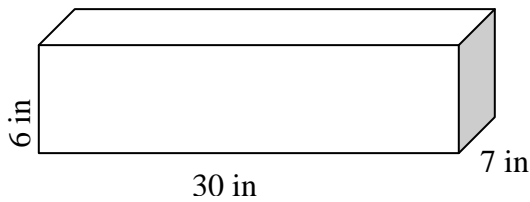
1) Volume = _____
Surface Area = _____



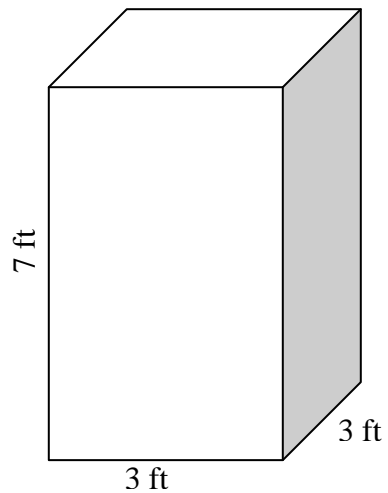
2) Volume = _____
Surface Area = _____



3) Volume = _____
Surface Area = _____



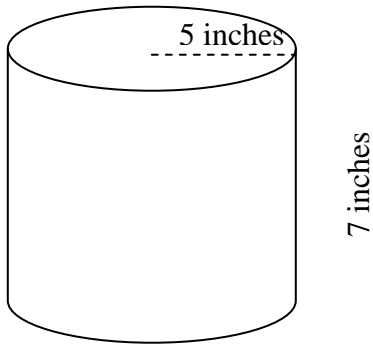
4) Volume = _____
Surface Area = _____



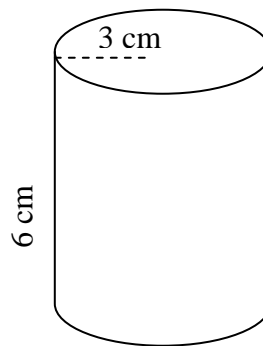
Volume of a Cylinder = _____

Surface Area of a Cylinder = _____

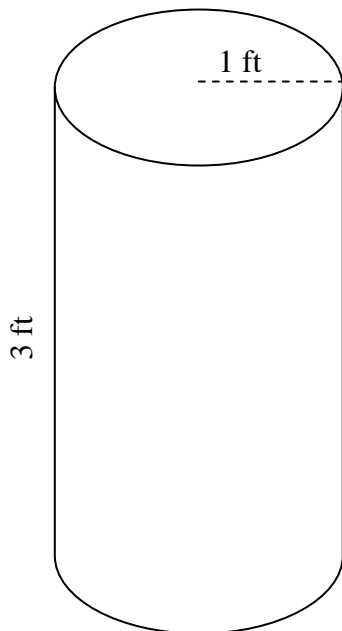
9) Volume = _____
Surface Area = _____



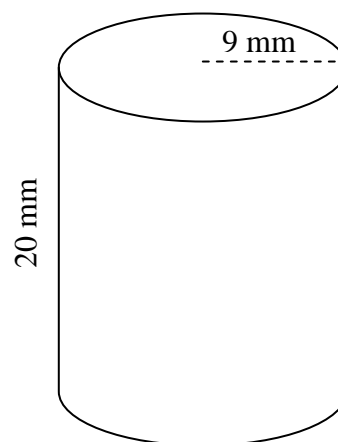
10) Volume = _____
Surface Area = _____



11) Volume = _____
Surface Area = _____



12) Volume = _____
Surface Area = _____



Name ANSWER KEY Period _____ Date _____

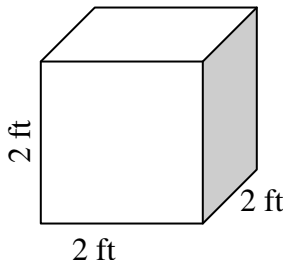
Volume and Surface Area of Rectangular Prisms and Cylinders

Remember, the volume of a shape is how many cubic units you can fit inside it. What are the areas of the cubes drawn below? Make sure you write the units.

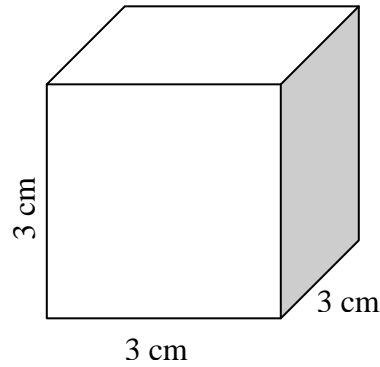
Volume of a Rectangular Prism = length x width x height

Surface Area of a Rectangular Prism = 2(length x width + length x height + width x height)

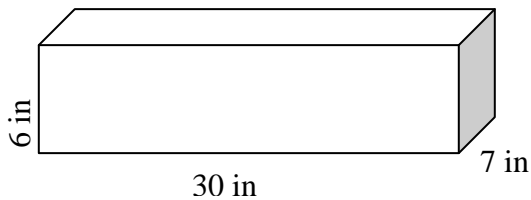
1) Volume = 8 cubic ft.
Surface Area = 24 sq. ft



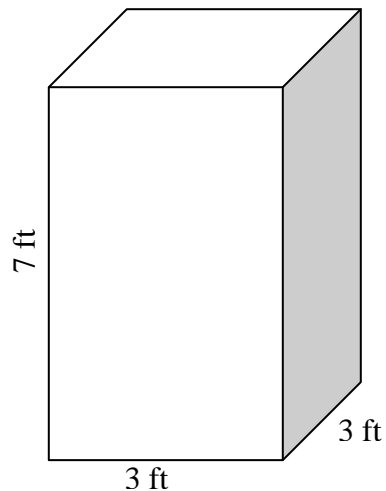
2) Volume = 27 cubic cm.
Surface Area = 54 sq. cm.



3) Volume = 1,260 cubic in.
Surface Area = 864 sq. in.



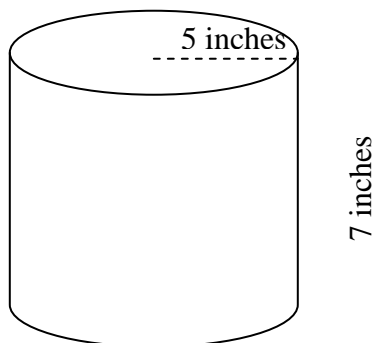
4) Volume = 63 cubic ft.
Surface Area = 102 sq. ft.



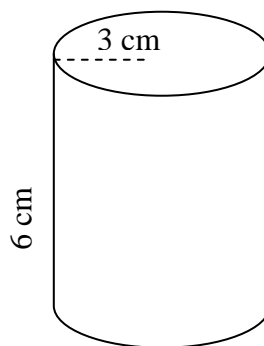
Volume of a Cylinder = $3.14 \times \text{radius} \times \text{radius} \times \text{height}$

Surface Area of a Cylinder = $2 \times 3.14 \times \text{radius} \times \text{height} + 2 \times 3.14 \times \text{radius} \times \text{radius}$

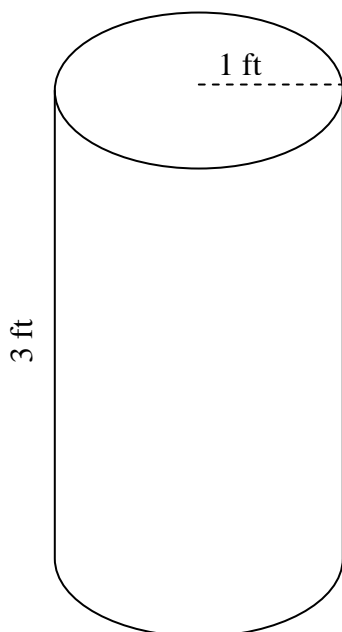
9) Volume = 549.5 cubic in.
Surface Area = 376.8 sq. in.



10) Volume = 169.56 cubic cm.
Surface Area = 169.56 sq. cm.



11) Volume = 9.42 cubic ft.
Surface Area = 25.12 sq. ft.



12) Volume = $5,086.8 \text{ cubic mm.}$
Surface Area = $1,639.08 \text{ sq. mm.}$

